



E-socket

—
Quick installation guide
Guide d'installation rapide





TABLE OF CONTENTS/ TABLE DES MATIÈRES


Quick installation guide	3
Guide d'installation rapide	17


TABLE OF CONTENTS

Package contents	4
Connecting the E-socket	5
Wall mounting the E-Socket	6
Mounting the E-Socket on the Eve Single Pole	8
Mounting the E-Socket on the Eve Duo-Pole	10
Mounting the E-Socket on the Eve Double Pole	12
Installing the E-Socket on the Eve Single Pro-line FR	14
Installing the E-Socket on the Eve Double Pro-line FR	15

 This document contains installation instructions for the E-Socket. Please always refer to our website for the most up-to-date and complete manual for the product. www.alfen.com/en/downloads.

 The installation must comply with standards and (local) regulations and must only be carried out by a qualified technician.

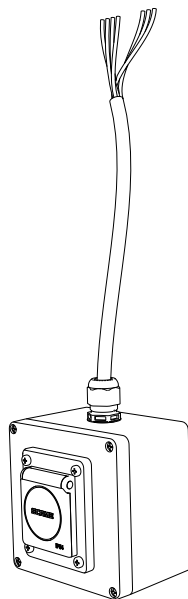
 The electrical system must be disconnected from every power source before performing any installation or maintenance work!

 This manual describes the installation of the E-Socket for both the Eve Double Pro-line FR and the Eve Single Pro-line FR simultaneously.

Conditions of use

Operating temperature	-25 °C / +40 °C
Relative humidity	5% / 95%
Electrical safety class	I
Protection rating	IP54

Package contents



1 E-Socket



4
M4x30
Wall mount screw



4
S6
Wall plug



4
M4x10
Pole mount screw

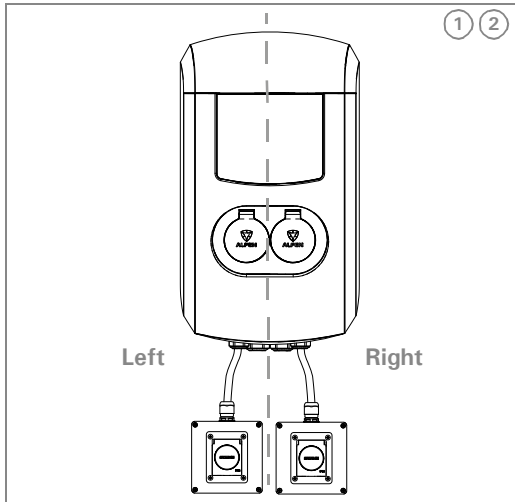


1
M25x1.5
Cable gland



1
M25x1.5
Locknut

Connecting the E-Socket to the Eve Double Pro-line FR



The E-Socket on the Eve Double Pro-line FR

⚠ A total of two E-Sockets can be installed on the Eve Double Pro-line FR.

- Determine the position of the E-Socket(s):
 - Left and/or
 - Right.

⚠ The E-Socket cannot be mounted on the Eve Double Pro-line FR. Do not leave the E-Socket hanging.

- Example of the assembled E-Socket:
 - Right side assembly.
 - Left side assembly.

Use the proper mounting material or kit for installation:

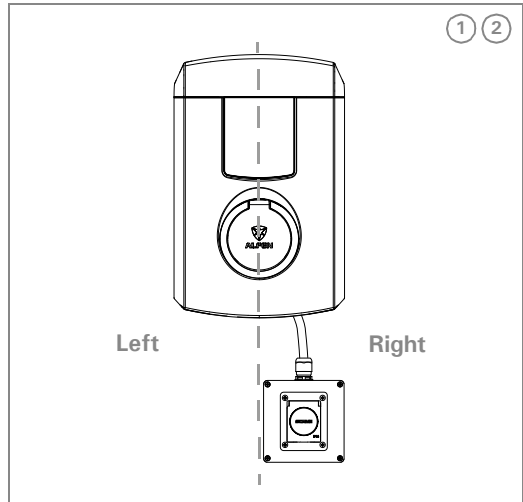
Wall mounting:

- The wall mounting screws and plugs are included in the E-Socket package.

Mounting E-Socket on the Eve Double pole:

- Eve Double pole FR (934459002).
- The E-Socket Support pole Eve Double (803873064-ICU).

Connecting the E-Socket to the Eve Single Pro-line FR



The E-Socket on the Eve Single Pro-line FR

⚠ A total of one E-Socket can be installed on the Eve Single Pro-line FR.

- The E-Socket can only be installed on the right side of the Eve Single Pro-line FR.

⚠ The E-Socket cannot be mounted on the Eve Single Pro-line FR. Do not leave the E-Socket hanging.

- Example of the assembled E-Socket:
Right side assembly.

Use the proper mounting material or kit for installation:

Wall mounting:

- The wall mounting screws and plugs are included in the E-Socket package.

Mounting the E-Socket on the Eve Single pole:

- Eve Single pole (803873036-ICU).
- The E-Socket Eve Single Pole Bracket (803873063-ICU).


Mounting the E-Socket on the Eve Single Duo-pole:

- Eve Single Duo-Pole (803873037-ICU).
- The E-Socket Support Duo-Pole (803873066-ICU).

Wall mounting the E-Socket

Preparing for installation

1 Determine the position of the E-Socket.

 **Take into account the length of the E-Socket cable. Take special care to measure the piece of cable needed inside the Eve charging station.**

 **Please refer to page 16 and 17 on how to install the E-socket on the charging station.**


2 Remove the four (4) philips head screws to open the front cover with socket of the E-Socket.

 **Leave the front cover with socket hanging. Take care not to damage the cables.**


3 Mark the four (4) wall plug positions.

4 Mount the E-Socket on the wall.

- Drill 4 holes for the wall plugs and fit the wall plugs.
- Mount the E-Socket on the wall using the four (4) wall mounting screws.

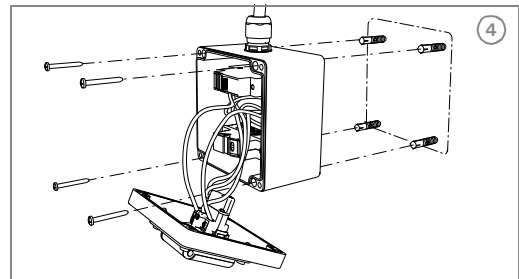
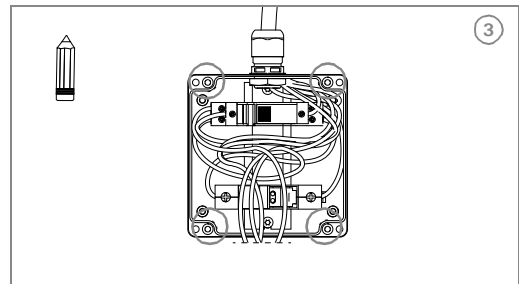
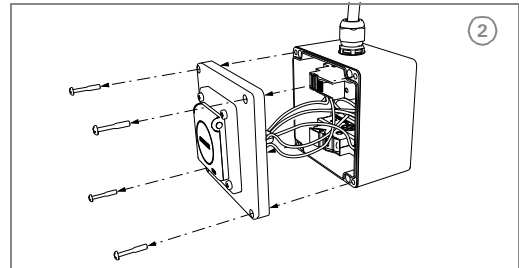
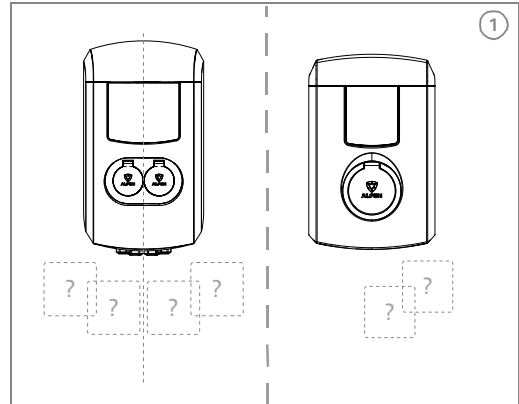
 **Take care not to damage the cables or the E-Socket front cover with socket; keep them clear from the drill and other mounting equipment.**

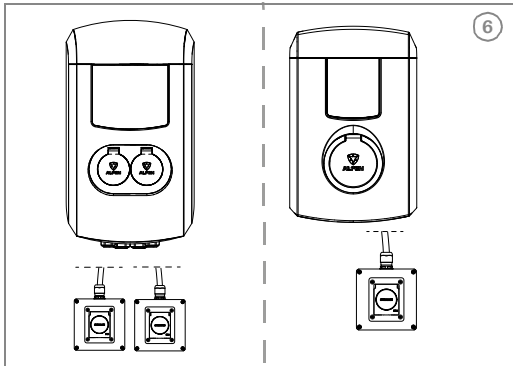
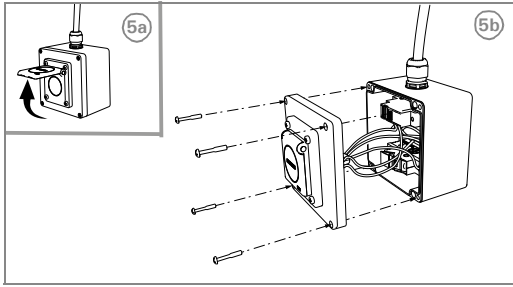
5 a) Make sure the socket flap opens in an upward direction.
b) Use the four philips head screws to close the front cover with socket.

 **Take care not to damage the cables; keep them clear of the front cover while closing so they do not obstruct it.**

6 The E-Socket wall mounted.

 **Please refer to page 16 and 17 on how to install the E-socket on the charging station.**





Mounting the E-Socket on the Eve Single pole

- 1 Use the proper accessory, mounting material or kit for installation:
 - Eve Single pole (803873036-ICU)
 - The E-Socket Eve Single Pole Bracket (803873063-ICU).
 - Four (4) pole mount screws. Included in E-Socket package content.
- 2 Remove the carriage bolt, washer and nut from the Eve Single pole.
- 3 The E-Socket cable entry is positioned on the right side of the Eve Single. Mount the Support pole mounting bracket on the right side of the charging station.
 - Mount the Eve Single pole bracket with the carriage bolt, washer and nut on the Eve Single pole.
- 4 Remove the four (4) philips head screws to open the front cover with socket of the E-Socket.



Leave the front cover with socket hanging. Take care not to damage the cables.

- 5 Use the four (4) pole mount screws to mount the E-Socket on the Eve Single Pole Bracket.
- 6 The socket is positioned upside down.



Make sure the socket flap opens in an upward direction.

- Unscrew the four pan head screws and pull the front cover with socket slightly forward.
- Rotate the front cover with socket 180 degrees in order for the socket flap to open in an upward direction.

- 7 Use the four philips head screws to close the front cover with socket.

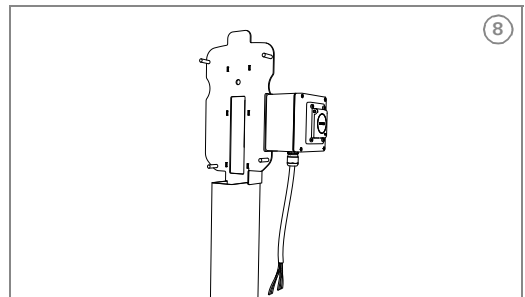
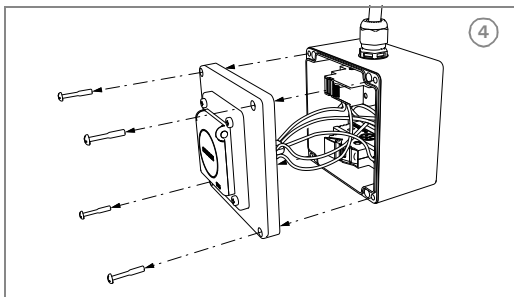
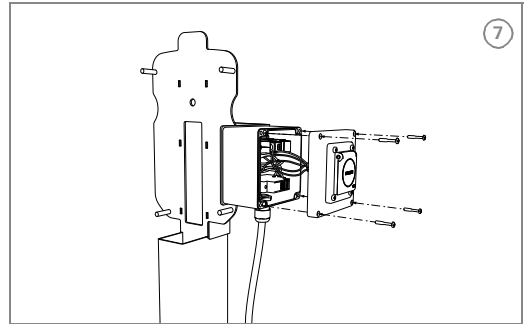
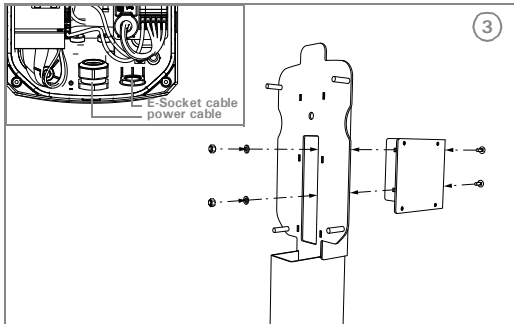
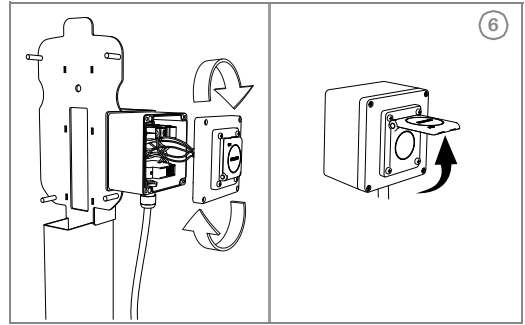
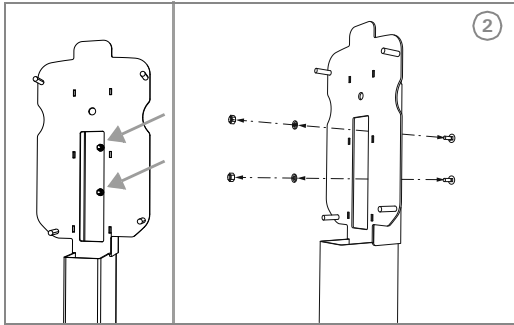
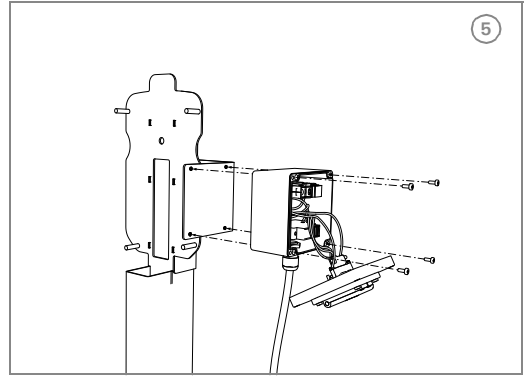
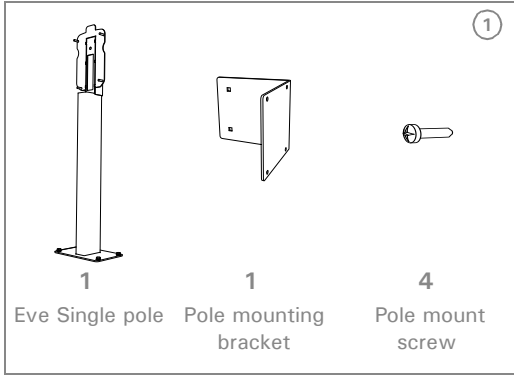


Take care not to damage the cables; keep them clear of the front cover while closing so they do not obstruct it.

- 8 The E-Socket mounted on the Eve Single pole



Please refer to page 16 on how to install the E-socket on the charging station.





Mounting the E-Socket on the Eve Single Duo pole

Preparing for installation

- 1 Use the proper accessory, mounting material or kit for installation:
 - Eve Single Duo-Pole (803873037-ICU)
 - The E-Socket Support Duo-Pole (803873066-ICU).
 - Four (4) washers and nuts. Included in the Eve Single package content.
 - Four(4) pole mount screws. Included in E-Socket package content.



Remove the front cover of the Eve Single according to the description on page 16.

- 2 Mount the Eve Single on the Support Duo-pole using the four (4) nuts and washers included in the Eve Single package.
 - Push the Support Duo-pole over the threaded end on the Eve Single Duo pole.
 - Mount the Eve Single on the same threaded ends of the Eve Single Duo-pole.
 - Use the four (4) nuts and washers to secure the Eve single and Support Duo-pole.
- 3 Mount the second Eve Single charging station on the Eve Single Duo pole using the four (4) nuts and washers included in the Eve Single package.
 - Mount the Eve Single on the same threaded ends of the Eve Single Duo-pole.
 - Use the four (4) nuts and washers to secure the Eve single and Support Duo-pole.
- 4 Remove the four (4) philips head screws to open the front cover with socket of the E-Socket.



Leave socket hanging. Take care not to damage the cables.

- 5 Use the Support Duo-pole bracket on the right side of the charging station to mount the E-Socket.
 - Use de four (4) pole mount screws to mount the E-Socket on the Support Duo-pole.
- 6 The socket is positioned upside down.



Make sure the socket flap opens in an upward direction.

- Rotate the front cover with socket 180 degrees in order for the socket flap to open in an upward direction.



Take care not to damage the cables; keep them clear of the socket while closing so they do not obstruct it.

- 7 Use the four philips head screws to close the front cover with socket.

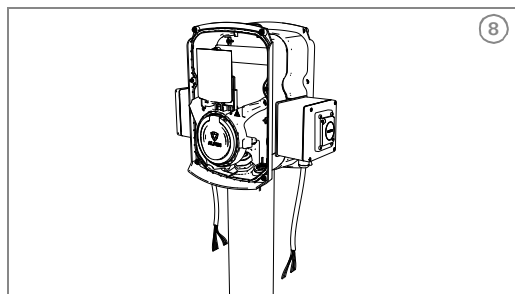
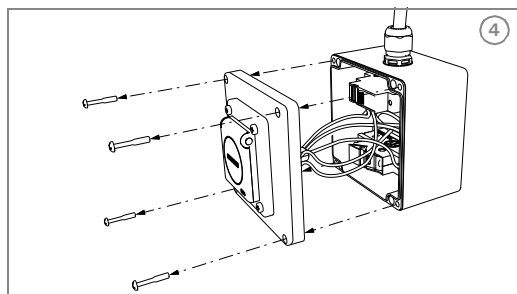
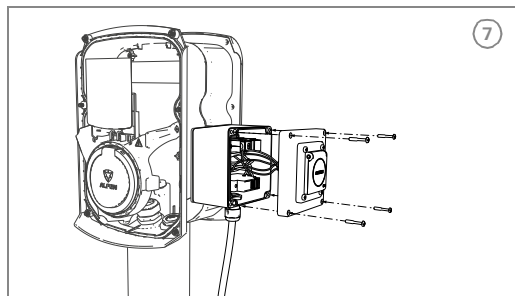
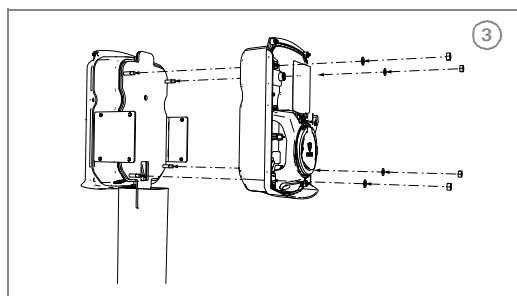
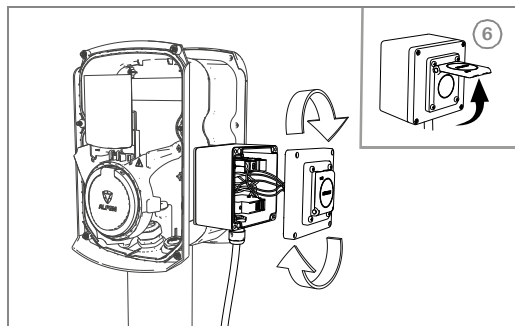
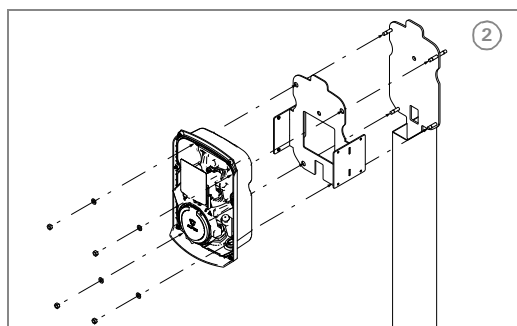
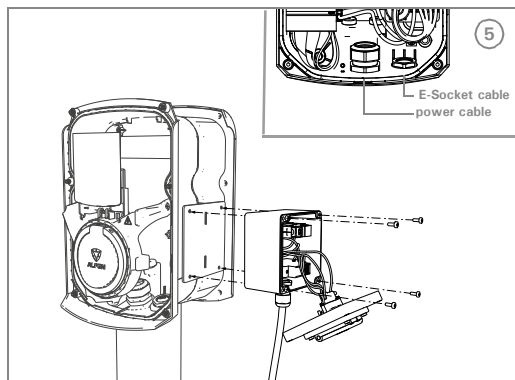
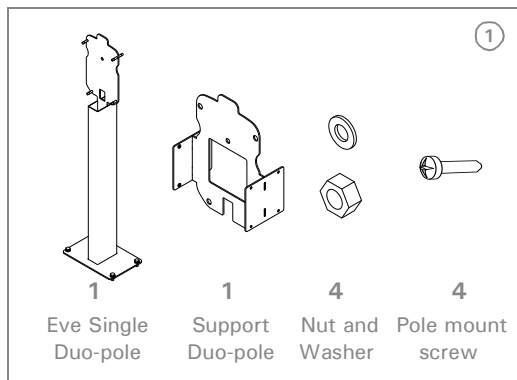


Take care not to damage the cables; keep them clear of the front cover while closing so they do not obstruct it.

- 8 The E-Socket is mounted on the Eve Single Duo-pole.



Please refer to page 16 on how to install the E-socket on the charging station.



Mounting the E-Socket on the Eve Double pole

Preparing for installation

- 1 Use the proper accessory, mounting material or kit for installation:
 - Eve Double Pole FR (934459002)
 - E-Socket support. (803873064-ICU).
 - Four (4) pole mount screws. Included in the E-Socket package content.
- 2 Mount the E-Socket support on the Eve Double Pole FR.
 - Fit the E-Socket support cutout in the slots on the Eve Double Pole FR.
 - Push the E-Socket Support in an upward direction until the bracket mount screw aligns with the press nut.
 - Use the bracket mount screw to secure the E-Socket support.



In this instruction the E-Socket will be mounted on the right side. This instruction can also be used for the left side.

- 3 Remove the four (4) philips head screws to open the front cover with socket of the E-Socket.



Leave the front cover with socket hanging. Take care not to damage the cables.

- 4 Use the four (4) pole mount screws to mount the E-Socket on the E-Socket support.
- 5 Use the four philips head screws to close the front cover with socket.



Make sure the socket flap opens in an upward direction.



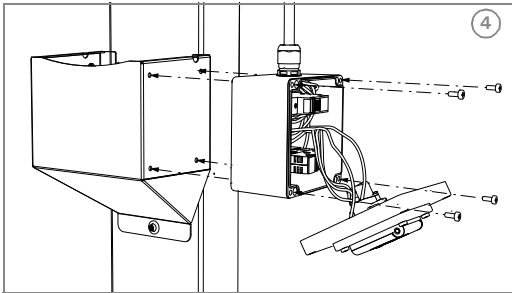
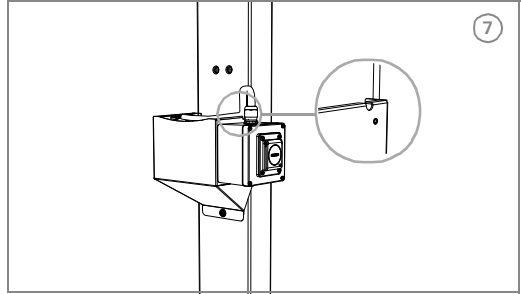
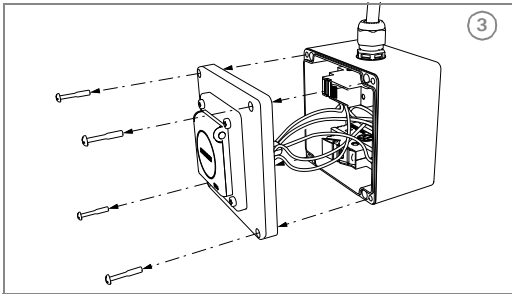
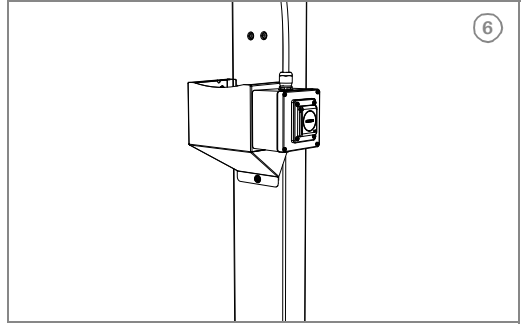
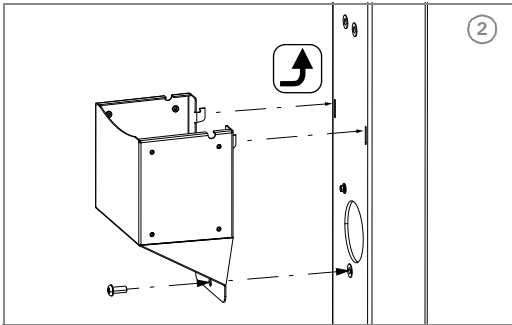
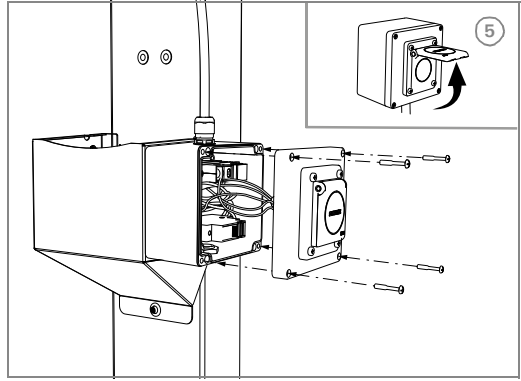
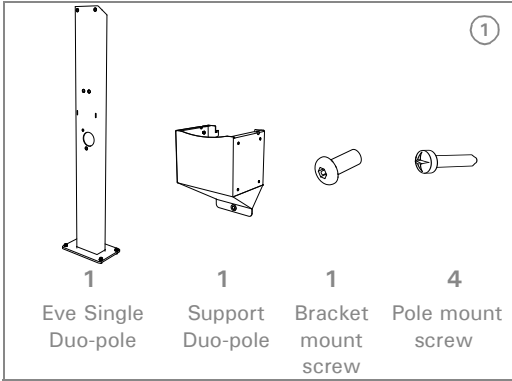
Take care not to damage the cables; keep them clear of the socket while closing so they do not obstruct it.

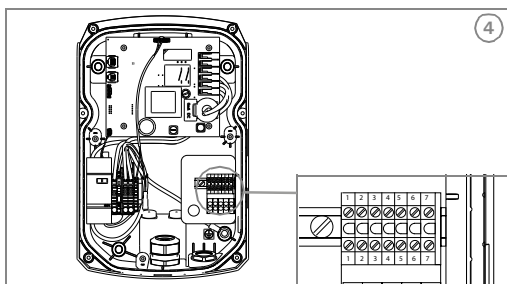
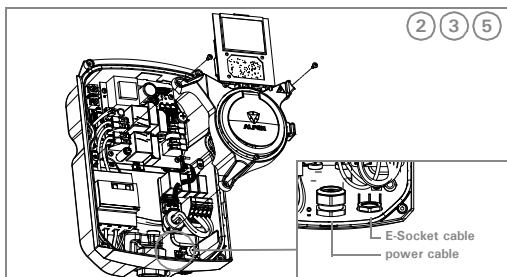
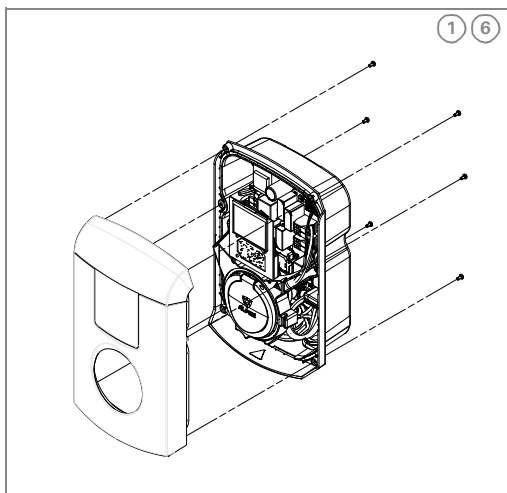
- 6 The E-Socket mounted on the Eve Double pole.
- 7 Guide the E-Socket cable through the cut-out on the E-Socket support before installing on the Eve Double.



Please refer to page 17 on how to install the E-socket on the charging station.

Quick start guide





Installing the E-Socket on the Eve Single Pro-line FR

! *These installation instructions are solely applicable for installing the E-Socket on the Eve Single Pro-line FR.*

! *When installing the Eve Single Pro-line FR for the first time follow the instructions described in the quick installation guide delivered with the product.*

- 1 Remove the front cover.
 - Unscrew the six T20 screws.
 - Pull the front cover straight upwards.
- 2 Remove the frame and the plug connection.
 - Unscrew the 3 screws.

! *Do not damage the power cables. Leave the frame hanging carefully next to the housing.*

- 3 Install the Cable gland with the locknut on the charging station and feed the E-Socket cable through the E-Socket cable gland.

- 4 Connect the E-Socket cable.

! *Make sure the power cable is not live.*

- Connect the cores to the terminals.
- Tighten the gland.

! *Ensure the cable is clamped firmly in the gland. Only then will the IP55 sealing be effective.*

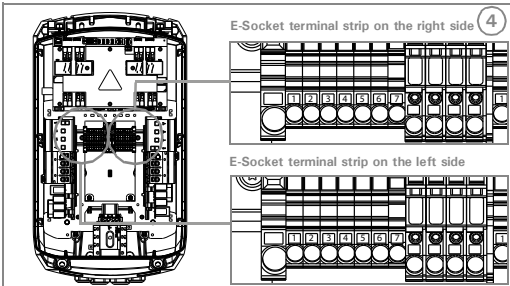
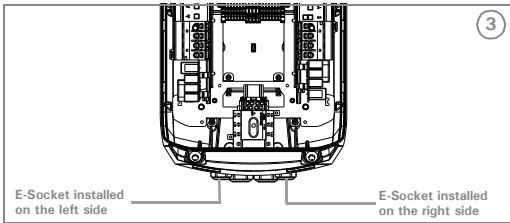
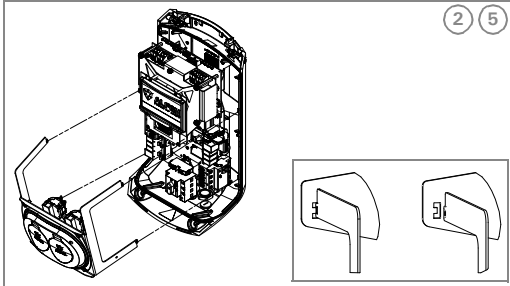
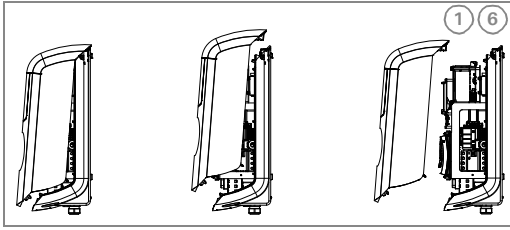
- 5 Follow step 2 in reverse order to refit the frame and plug connection.
 - Tighten the 3 screws.

! *Take care not to damage the cables; keep them clear of the locking mechanisms so they do not obstruct it.*

- 6 Follow step 1 in reverse order to refit the front cover.
 - Place the front cover on the housing.
 - Tighten the six T20 screws on the back.

! *Avoid dropping the front cover. Keep hold of the front cover with one hand.*

Quick start guide



Installing the E-Socket on the Eve Double Pro-line FR



These installation instructions are solely applicable for installing the E-Socket(s) on the Eve Double Pro-line FR.



When installing the Eve Double Pro-line FR for the first time follow the instructions described in the quick installation guide delivered with the product.

- 1 Remove the front cover.



Be careful not to damage the front cover during the installation procedure.

- Remove the two T25 screws from the underside.
- Unscrew the two T25 screws on the side completely.
- Pull the front cover from the underside upwards first and then straight up.

- 2 Remove the subframe and the plug connection.

- Press clamp fastening on one side first and lift the subframe on that side.



Do not damage the power cables.

- 3 Install the Cable gland with the Locknut on the charging station and feed the E-Socket cable through the outer cable gland on the right or left.

- 4 Connect the numbered wires of the E-Socket on the corresponding terminals.

- Use the terminal strip on the left side for mounting the E-Socket on the left.
- Use the terminal strip on the right side for mounting the E-Socket on the right.



Ensure the cable is clamped firmly in the gland. Only then will the IP54 sealing be effective.

- 5 Follow step 2 in reverse order to refit the subframe.

- Press the clamp fastening into place on one side at a time.

- 6 Follow step 1 in reverse order to refit the cover.

- Fit the cover onto the housing from the top.
- Retighten the two T25 screws on the side before the two T25 screws on the under side.



Take care not to damage the cables; keep them clear of the locking mechanisms so they do not obstruct it.

Waste Electrical and Electronic Equipment (WEEE)

Electrical and electronic equipment (EEE) contains materials, components and substances that may be hazardous and present a risk to human health and the environment when waste electrical and electronic equipment (WEEE) is not handled correctly.

Equipment marked with the below crossed-out wheeled bin is electrical and electronic equipment.

The crossed-out wheeled bin symbol indicates that waste electrical and electronic equipment should not be discarded together with unseparated household waste, but must be collected separately.

For this purpose all local authorities have established collection schemes under which residents can dispose waste electrical and electronic equipment at a recycling centre or other collection points, or WEEE will be collected directly from households. More detailed information is available from the technical administration of the relevant local authority.

Users of electrical and electronic equipment must not discard WEEE together with household waste. Residents must use the municipal collection schemes to reduce adverse environmental impacts in connection with disposal of waste electrical and electronic equipment and to increase opportunities for reuse, recycling and recovery of waste electrical and electronic equipment.



E-Socket



Guide d'installation rapide



TABLE DES MATIÈRES

Contenu de l’emballage	19
Relier l’E-Socket à l’Eve Double Pro-line FR	20
Relier l’E-Socket à l’Eve Single Pro-line FR	20
Montage au mur de l’E-Socket	21
Montage de l’E-Socket sur le poteau Eve Single	23
Montage de l’E-Socket sur le poteau Duo de l’Eve Single	25
Montage de l’E-Socket sur le poteau Eve Double	27
Installation de l’E-Socket sur l’Eve Single Pro-line FR	29
Installation de l’E-Socket sur l’Eve Double Pro-line FR	30



Ce document contient des instructions d'installation pour l'E-Socket. Rendez-vous sur notre site Web pour obtenir la version la plus récente du manuel et consulter le manuel de l'utilisateur complet. www.alfen.com/en/downloads.



L'installation doit être conforme aux normes et aux réglementations (locales) et ne doit être effectuée que par un technicien qualifié.



Le circuit électrique doit être coupé (déconnecté de toute alimentation électrique) avant toute opération d'installation et d'entretien!

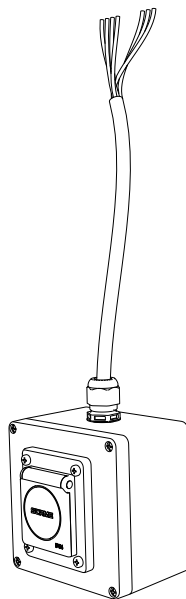


Ce manuel décrit l'installation de l'E-Socket pour l'Eve Double Pro-line FR et l'Eve Single Pro-line FR.

Conditions d'utilisation

Température de fonctionnement	-25 °C / +40 °C
Humidité relative	5 % / 95 %
Classe de protection électrique	I
Indice de protection	IP54

Contenu de l'emballage



1 E-Socket



4
M4x30
Vis de montage
mural



4
S6
Cheville



4
M4x10
Vis de montage
poteau

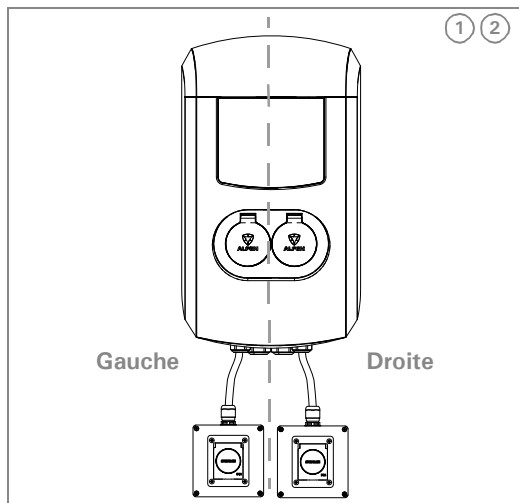


1
M25x1.5
Presse-étoupe



1
M25x1.5
Contre-écrou

Relier l'E-Socket à l'Eve Double Pro-line FR



L'E-Socket sur l'Eve Double Pro-line FR

⚠ Deux E-Sockets peuvent être installées en tout sur l'Eve Double Pro-line FR.

- Déterminez la position de la ou les E-Socket(s) :
 - gauche et/ou
 - droite.

⚠ L'E-Socket ne peut pas être montée sur l'Eve Double Pro-line FR. Ne laissez pas pendre l'E-Socket.

- Exemple de l'E-Socket assemblée :
 - Assemblage côté droit.
 - Assemblage côté gauche.

Utilisez le matériel ou le kit de montage approprié pour l'installation:

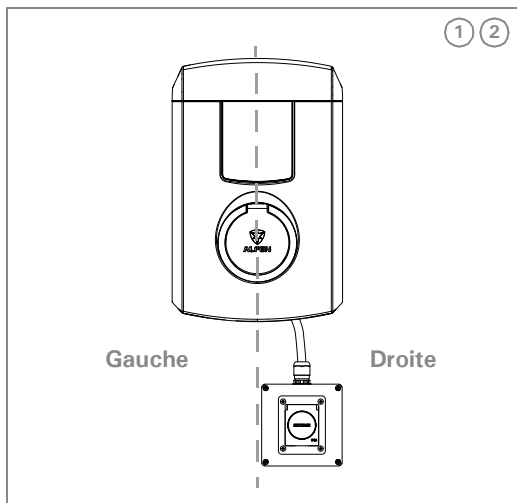
Montage mural:

- Les vis et chevilles pour le montage mural.

Montage de l'E-Socket sur le poteau Eve Double FR:

- Poteau Eve Double FR (934459002).
- Le poteau Support de l'E-Socket de l'Eve Double (803873064-ICU).

Relier l'E-Socket à l'Eve Single Pro-line FR



L'E-Socket sur l'Eve Single Pro-line FR

⚠ Une E-Socket peut être installée en tout sur l'Eve Single Pro-line FR.

- L'E-Socket ne peut être installée que sur le côté droit de l'Eve Single Pro-line FR.

⚠ L'E-Socket ne peut pas être montée sur l'Eve Single Pro-line FR. Ne laissez pas pendre l'E-Socket.

- Exemple de l'E-Socket assemblée :
 - Assemblage côté droit.

Utilisez le matériel ou le kit de montage approprié pour l'installation:

Montage mural :

- Les vis et chevilles pour le montage mural.

Montage de l'E-Socket sur le poteau Duo de l'Eve Single:

- Poteau Eve Single (803873036-ICU).
- Le support de poteau de l'E-Socket de l'Eve Single (803873063-ICU).

Montage de l'E-Socket sur le poteau Duo l'Eve Single:

- Poteau Duo de l'Eve Single (803873037-ICU).
- Le support de poteau Duo de l'E-Socket (803873066-ICU).

Montage au mur de l'E-Socket

Préparer l'installation

1 Fixer la position de l'E-Socket.



Tenez compte de la longueur du câble de l'E-Socket. Prenez soin de mesurer le morceau de câble nécessaire à l'intérieur de la borne de recharge Eve.



Veillez vous reporter à la page 32 et 33 pour savoir comment installer l'E-socket sur la borne de recharge.

2 Retirez les quatre (4) vis à tête philips pour ouvrir le couvercle avant avec la prise de l'E-Socket.



Laissez le couvercle avant avec la prise suspendue. Veillez à ne pas endommager les câbles.

3 Marquez la position des quatre (4) chevilles.

4 Fixez l'E-Socket au mur.

- Percez 4 trous pour les chevilles et insérez les chevilles.
- Fixez l'E-Socket au mur à l'aide des quatre (4) vis de montage mural.



Veillez à ne pas endommager les câbles ou le couvercle avant de l'E-Socket avec la prise ; tenez-les à l'écart de la perceuse et des autres équipements de montage.

- 5
- Assurez-vous que le volet de la prise s'ouvre vers le haut.
 - Utilisez les quatre vis à tête philips pour fermer le couvercle avant avec la prise.

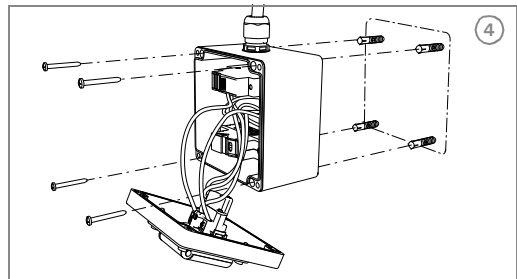
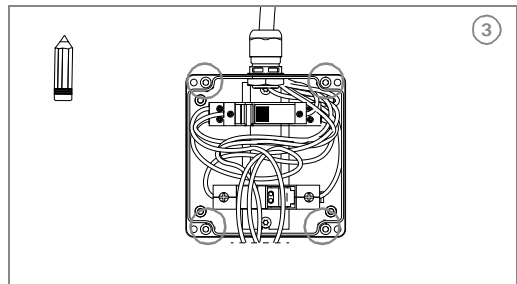
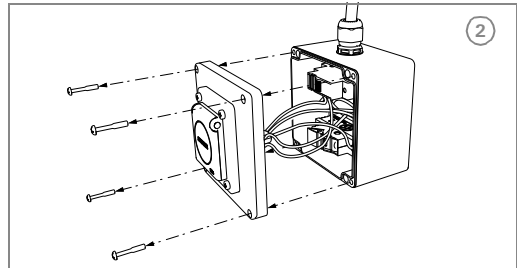
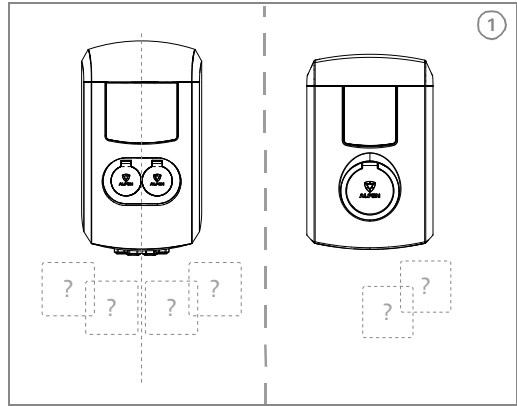


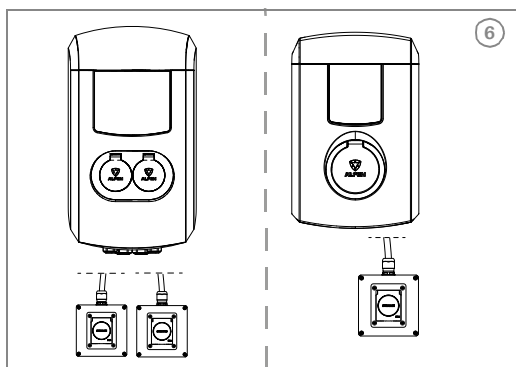
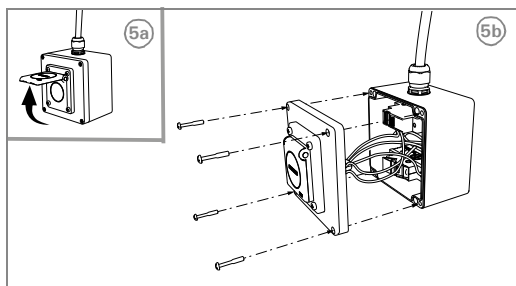
Veillez à ne pas endommager les câbles ; tenez-les à l'écart du couvercle avant au moment de la fermeture pour éviter toute obstruction.

6 L'E-Socket fixée au mur.



Veillez vous reporter à la page 32 et 33 pour savoir comment installer l'E-socket sur la borne de recharge.





Montage de l'E-Socket sur le poteau Eve Single

- 1 Utilisez l'accessoire, le matériel ou le kit de montage approprié pour l'installation :
 - Poteau Eve Single (803873036-ICU)
 - Le support du poteau de l'E-Socket de l'Eve Single (803873063-ICU).
 - Quatre (4) vis de montage pour poteau. Incluses dans le contenu de l'emballage de l'E-Socket.
- 2 Retirez le boulon, la rondelle et l'écrou du poteau Eve Single.
- 3 L'entrée du câble de l'E-Socket est située sur le côté droit de l'Eve Single. Montez le support de montage du poteau Support sur le côté droit de la borne de recharge.
 - Montez le support du poteau Eve Single avec le boulon, la rondelle et l'écrou sur le poteau Eve Single.
- 4 Retirez les quatre (4) vis à tête philips pour ouvrir le couvercle avant avec la prise de l'E-Socket.



Laissez le couvercle avant avec la prise suspendue. Veillez à ne pas endommager les câbles.

- 5 Utilisez les quatre (4) vis de montage poteau pour monter l'E-Socket sur le support du poteau Eve Single.
- 6 La prise est montée à l'envers.



Assurez-vous que le volet de la prise s'ouvre vers le haut.

- Dévissez les quatre vis à tête cylindrique et tirez le couvercle avant avec la prise légèrement vers l'avant.
 - Tournez le couvercle avant avec la prise de 180 degrés afin que le volet de la prise s'ouvre vers le haut.
- 7 Utilisez les quatre vis à tête philips pour fermer le couvercle avant avec la prise.

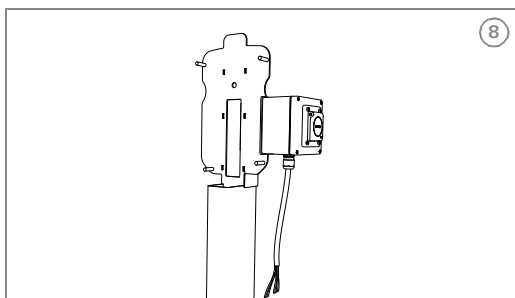
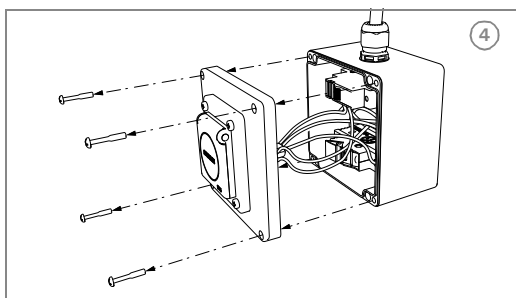
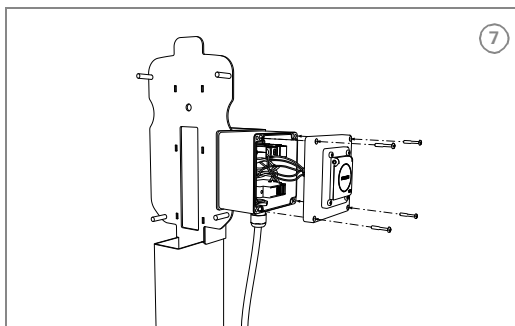
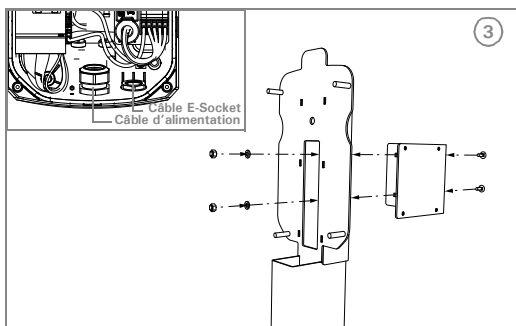
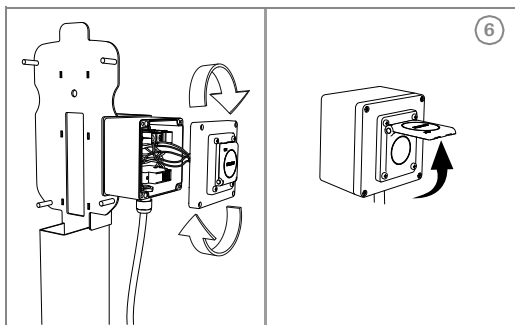
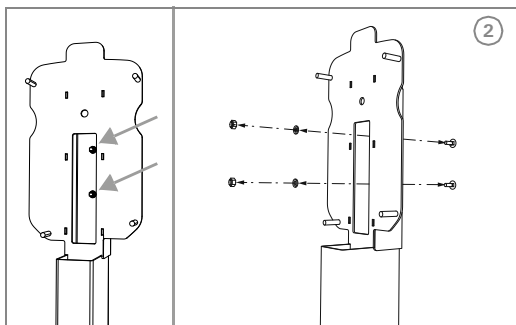
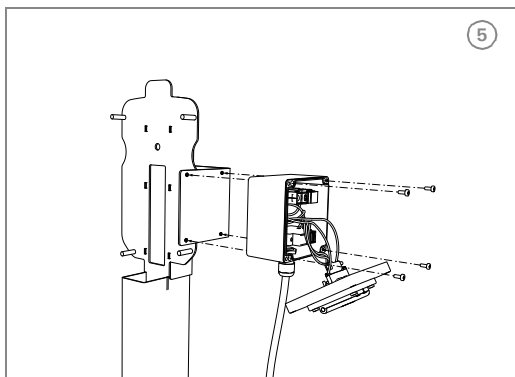
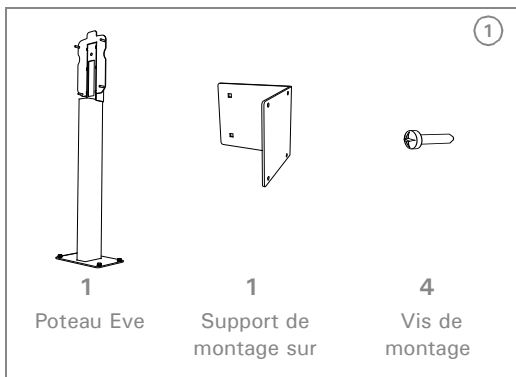


Veillez à ne pas endommager les câbles ; tenez-les à l'écart du couvercle avant au moment de la fermeture pour éviter toute obstruction.

- 8 L'E-Socket montée sur le poteau Eve Single



Veillez vous reporter à la page 32 pour savoir comment installer l'E-socket sur la borne de recharge.



Montage de l'E-Socket sur le poteau Duo de l'Eve Single

Préparer l'installation

- 1 Utilisez l'accessoire, le matériel ou le kit de montage approprié pour l'installation :
 - Poteau Duo de l'Eve Single (803873037-ICU)
 - Le support de poteau Duo de l'E-Socket (803873066-ICU).
 - Quatre (4) rondelles et écrous. Inclus dans le contenu de l'emballage de l'Eve Single.
 - Quatre (4) vis de montage sur poteau. Inclus dans le contenu du package E-Socket.



Retirez le couvercle avant de l'Eve Single conformément à la description de la page 32.

- 2 Montez l'Eve Single sur le support de poteau Duo en utilisant les quatre (4) écrous et rondelles inclus dans l'emballage de l'Eve Single.
 - Poussez le support de poteau Duo sur l'extrémité filetée du poteau Duo de l'Eve Single.
 - Montez l'Eve Single sur les mêmes extrémités filetées du poteau Duo de l'Eve Single.
 - Utilisez les quatre (4) écrous et rondelles pour fixer l'Eve Single et le support de poteau Duo.
- 3 Montez la seconde borne de recharge Eve Single sur le poteau Duo de l'Eve Single en utilisant les quatre (4) écrous et rondelles inclus dans l'emballage de l'Eve Single.
 - Montez l'Eve Single sur les mêmes extrémités filetées du poteau Duo de l'Eve Single.
 - Utilisez les quatre (4) écrous et rondelles pour fixer l'Eve Single et le support de poteau Duo.
- 4 Retirez les quatre (4) vis à tête philips pour ouvrir le couvercle avant avec la prise de l'E-Socket.



Laissez pendre la prise. Veillez à ne pas endommager les câbles.

- 5 Utilisez le support de poteau Duo sur le côté droit de la borne de recharge pour monter l'E-Socket.
 - Utilisez les quatre (4) vis de montage poteau pour monter l'E-Socket sur le support de poteau Duo.
- 6 La prise est placée à l'envers.



Assurez-vous que le volet de la prise s'ouvre vers le haut.

- Tournez le couvercle avant avec la prise de 180 degrés afin que le volet de la prise s'ouvre vers le haut.



Veillez à ne pas endommager les câbles ; tenez-les à l'écart de la prise lors de la fermeture pour éviter toute obstruction.

- 7 Utilisez les quatre vis à tête philips pour fermer le couvercle avant avec la prise.

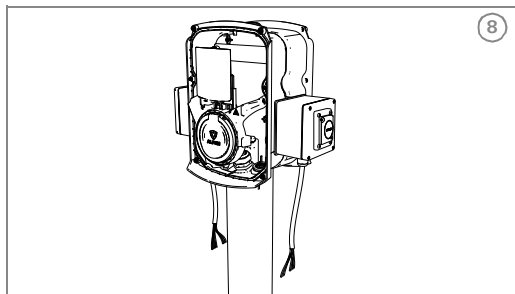
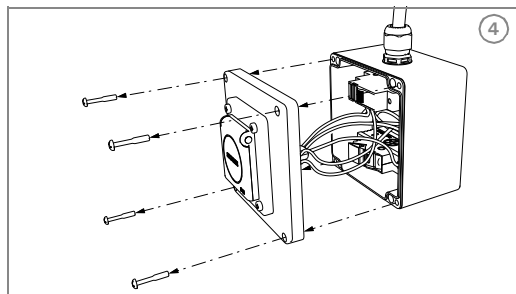
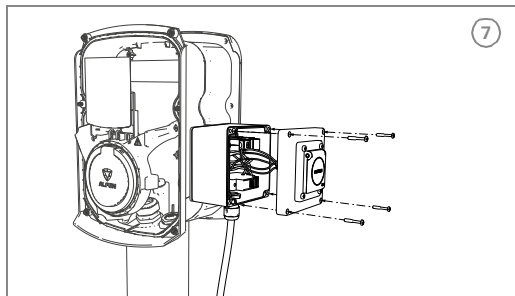
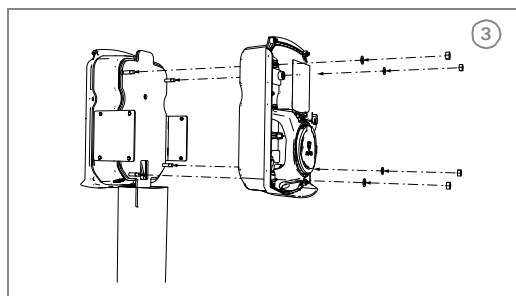
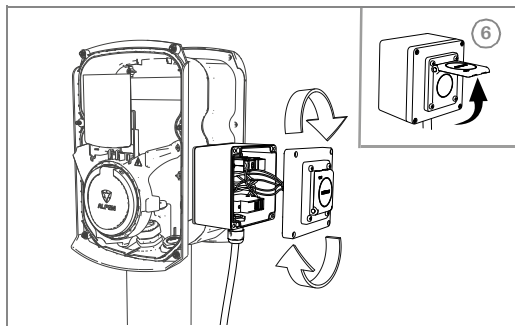
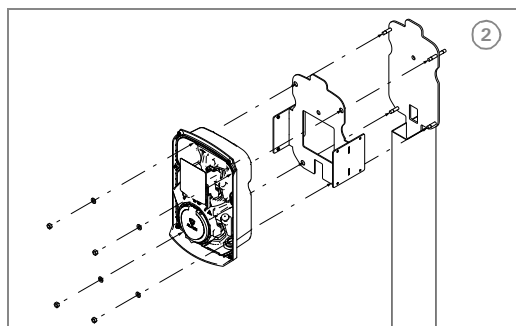
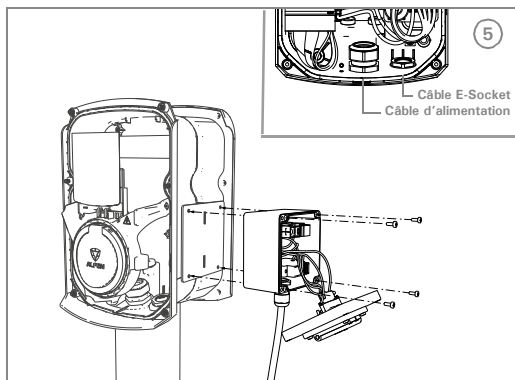
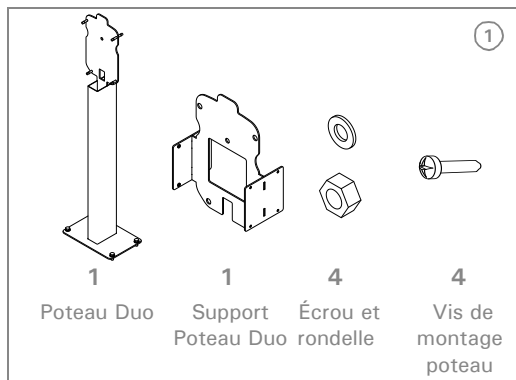


Veillez à ne pas endommager les câbles ; tenez-les à l'écart du couvercle avant au moment de la fermeture pour éviter toute obstruction.

- 8 L'E-Socket montée sur le poteau Duo de l'Eve Single.



Veillez-vous reporter à la page 32 pour savoir comment installer l'E-socket sur la borne de recharge.



Montage de l'E-Socket sur le poteau Eve Double

Préparer l'installation

- 1 Utilisez l'accessoire, le matériel ou le kit de montage approprié pour l'installation :
 - Poteau Eve Double FR (934459002)
 - Support E-Socket (803873064-ICU).
 - Quatre (4) vis de montage pour poteau. Incluses dans le contenu de l'emballage de l'E-Socket.
- 2 Montez le support de l'E-Socket sur le poteau Eve Double FR.
 - Placez la découpe du support de l'E-Socket dans les fentes du poteau Eve Double FR.
 - Poussez le support de l'E-Socket vers le haut jusqu'à ce que la vis de montage du support s'aligne sur l'écrou de pression.
 - Utilisez la vis de montage du support pour fixer le support de l'E-Socket.



Dans cette instruction, l'E-Socket est montée sur le côté droit. Cette instruction vaut également pour le côté gauche.

- 3 Retirez les quatre (4) vis à tête philips pour ouvrir le couvercle avant avec la prise de l'E-Socket.



Laissez le couvercle avant avec la prise suspendue. Veillez à ne pas endommager les câbles.

- 4 Utilisez les quatre (4) vis de montage poteau pour monter l'E-Socket sur le Support E-Socket.
- 5 Utilisez les quatre vis à tête philips pour fermer le couvercle avant avec la prise.



Assurez-vous que le volet de la prise s'ouvre vers le haut.



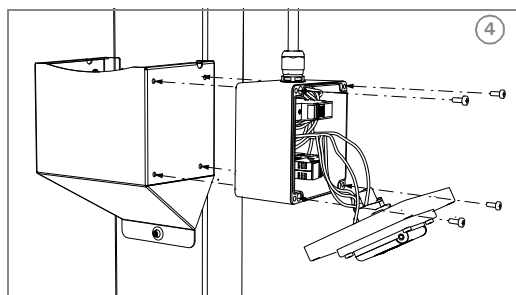
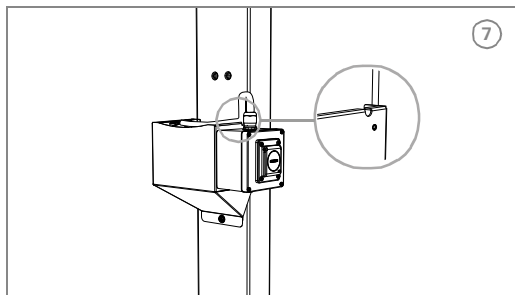
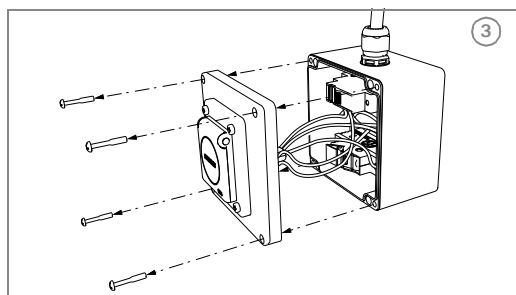
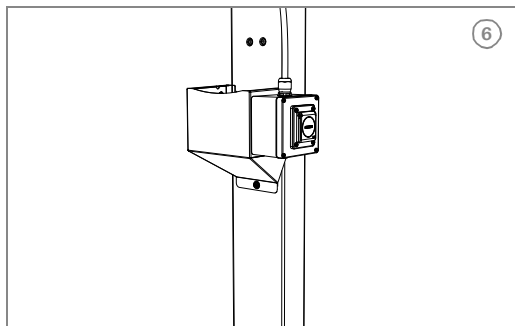
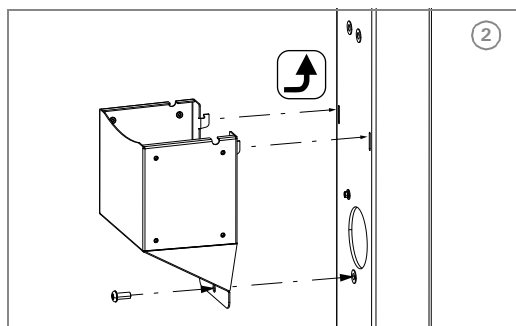
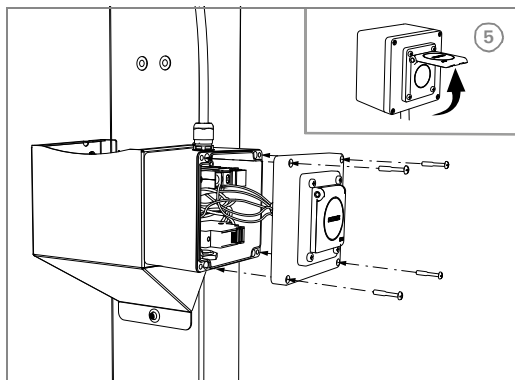
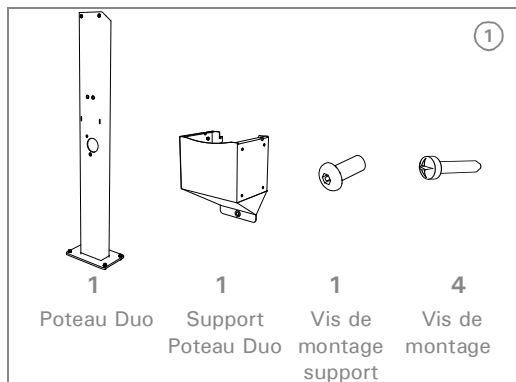
Veillez à ne pas endommager les câbles ; tenez-les à l'écart de la prise lors de la fermeture pour éviter toute obstruction.

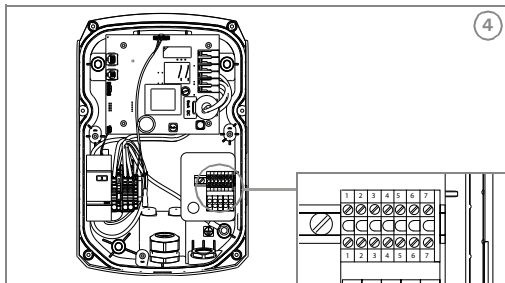
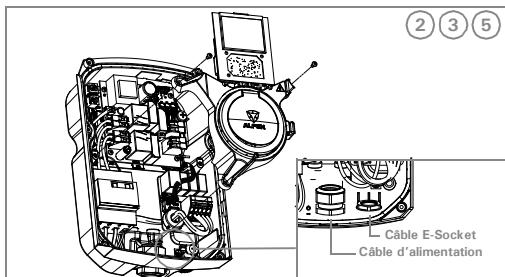
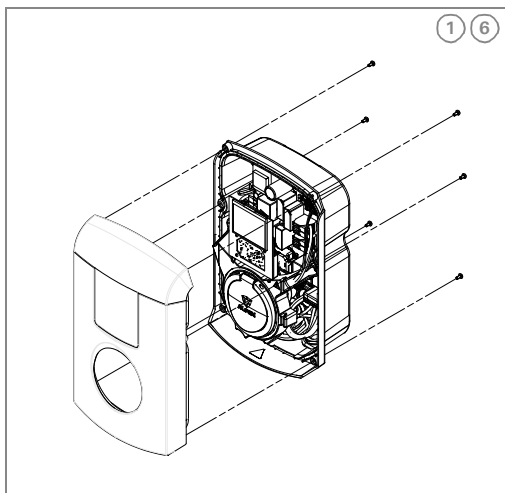
- 6 L'E-Socket montée sur le poteau Eve Double.
- 7 Guidez le câble de l'E-Socket à travers la découpe du support de l'E-Socket avant l'installation sur l'Eve Double.



Veillez vous reporter à la page 33 pour savoir comment installer l' E-socket sur la borne de recharge.

Guide de démarrage rapide





Installation de l'E-Socket sur l'Eve Single Pro-line FR

! Ces instructions d'installation s'appliquent uniquement à l'installation de l'E-Socket sur l'Eve Single Pro-line FR.

! Lors de la première installation de l'Eve Single Pro-line FR, suivez les instructions décrites dans le guide d'installation rapide accompagnant le produit.

- 1 Retirez le couvercle avant.
 - Dévissez les six vis T20.
 - Tirez le couvercle en droite ligne vers le haut.
- 2 Retirez le châssis et la connexion enfichable.
 - Dévissez les 3 vis.

! N'endommagez pas les câbles d'alimentation. Avec précaution, laissez pendre le châssis à côté du boîtier.

- 3 Installez le presse-étoupe avec le contre-écrou sur la borne de recharge et faites passer le câble de l'E-Socket par le presse-étoupe de l'E-Socket.

- 4 Raccordez le câble de l'E-Socket.

! Assurez-vous que le câble d'alimentation n'est pas sous tension.

- Raccordez les conducteurs aux bornes.
- Serrez le presse-étoupe.

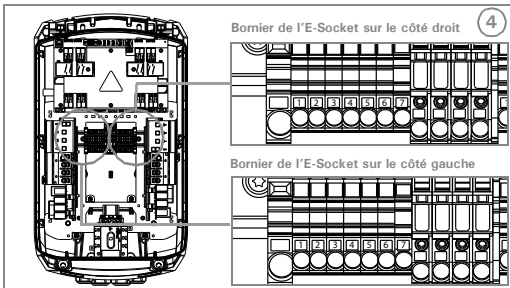
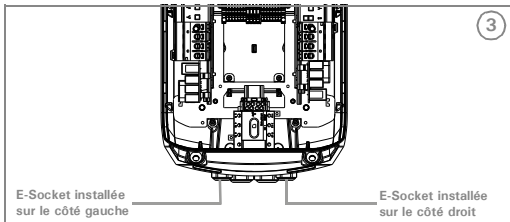
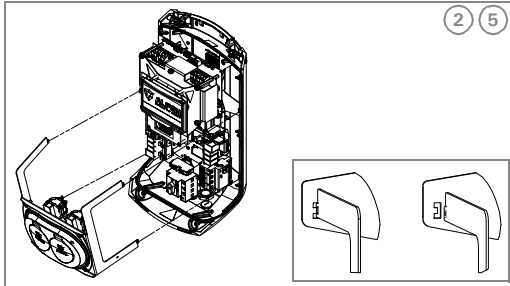
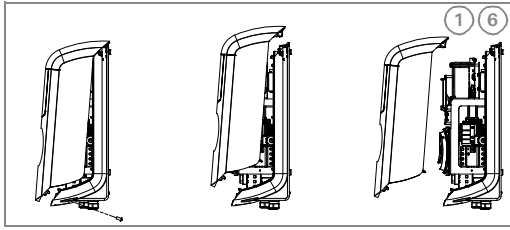
! Assurez-vous que le câble est bien serré dans le presse-étoupe. Ce n'est que dans ce cas que l'étanchéité IP55 sera effective.

- 5 Suivez l'étape 2 dans l'ordre inverse pour remonter le châssis et la connexion enfichable.
 - Serrez les 3 vis.

! Veillez à ne pas endommager les câbles ; gardez-les à l'écart des mécanismes de verrouillage afin qu'ils ne les obstruent pas.

- 6 Suivez l'étape 1 dans l'ordre inverse pour remonter le couvercle avant.
 - Placez le couvercle avant sur le boîtier.
 - Serrez les six vis T20 à l'arrière.

! Évitez de faire tomber le couvercle avant. Tenez le couvercle avant d'une main.



Installation de l'E-Socket sur l'Eve Double Pro-line FR



Ces instructions d'installation s'appliquent uniquement à l'installation de la/des E-Socket sur l'Eve Double Pro-line FR.



Lors de la première installation de l'Eve Double Pro-line FR, suivez les instructions décrites dans le guide d'installation rapide accompagnant le produit.

- 1 Retirez le couvercle avant.



Faites bien attention à ne pas endommager le couvercle avant pendant la procédure d'installation.

- Retirez les deux vis T25 du dessous.
- Dévissez entièrement les deux vis T25 sur le côté.
- Tirez le couvercle depuis le dessous en droite ligne vers le haut.

- 2 Retirez le sous-châssis et la connexion enfichable.

- Pressez d'abord la fixation par serrage d'un côté et soulevez le sous-châssis de ce côté.



N'endommagez pas les câbles d'alimentation.

- 3 Installez le presse-étoupe avec le contre-écrou sur la borne de recharge et faites passer le câble de l'E-Socket par le presse-étoupe extérieur à droite ou à gauche.

- 4 Raccordez les fils numérotés de l'E-Socket sur les bornes correspondantes.

- Utilisez le bornier sur le côté gauche pour le montage de l'E-Socket sur le côté gauche.
- Utilisez le bornier sur le côté droit pour le montage de l'E-Socket sur le côté droit.



Assurez-vous que le câble est bien serré dans le presse-étoupe. Ce n'est que dans ce cas que l'étanchéité IP54 sera effective.

- 5 Suivez l'étape 2 dans l'ordre inverse pour remonter le sous-châssis.

- Pressez en place la fixation par serrage d'un côté à la fois.

- 6 Suivez l'étape 1 dans l'ordre inverse pour remonter le couvercle.

- Montez le couvercle sur le boîtier par le haut.
- Resserrez les deux vis T25 sur le côté avant les deux vis T25 sur le dessous.



Veillez à ne pas endommager les câbles ; gardez-les à l'écart des mécanismes de verrouillage afin qu'ils ne les obstruent pas.

Déchets d'équipements électriques et électroniques (DEEE)

Les équipements électriques et électroniques (EEE) contiennent des matériaux, composants et substances qui peuvent être dangereux et présenter un risque pour la santé humaine et l'environnement lorsque les déchets d'équipements électriques et électroniques (DEEE) ne sont pas traités correctement.

Les équipements marqués avec la poubelle barrée ci-dessous sont des équipements électriques et électroniques.

Le symbole de la poubelle barrée d'une croix indique que les déchets d'équipements électriques et électroniques ne doivent pas être jetés avec les déchets ménagers non triés, mais doivent être collectés séparément.

À cet effet, toutes les autorités locales ont mis en place des systèmes de collecte dans le cadre desquels les résidents peuvent éliminer les déchets d'équipements électriques et électroniques dans un centre de recyclage ou d'autres points de collecte. Dans certains cas, les DEEE peuvent également être collectés directement auprès des ménages. Des informations plus détaillées sont disponibles auprès des services techniques des administrations locales compétentes.

Les utilisateurs d'équipements électriques et électroniques ne peuvent pas jeter les DEEE avec les déchets ménagers. Les résidents doivent utiliser les systèmes de collecte municipaux pour réduire les impacts environnementaux négatifs liés à l'élimination des déchets d'équipements électriques et électroniques et pour accroître les possibilités de réutilisation, de recyclage et de valorisation des déchets d'équipements électriques et électroniques.



Contact

Alfen ICU B.V.
Hefbrugweg 28
1332 AP Almere
The Netherlands

P.O. box 1042
1300 BA Almere
The Netherlands

Tel. Sales Support: +31 (0)36 54 93 402
Tel. Service: +31 (0)36 54 93 401
Website: www.alfen.com/en/ev-charge-points

Art.nr.: 203130020-ICU